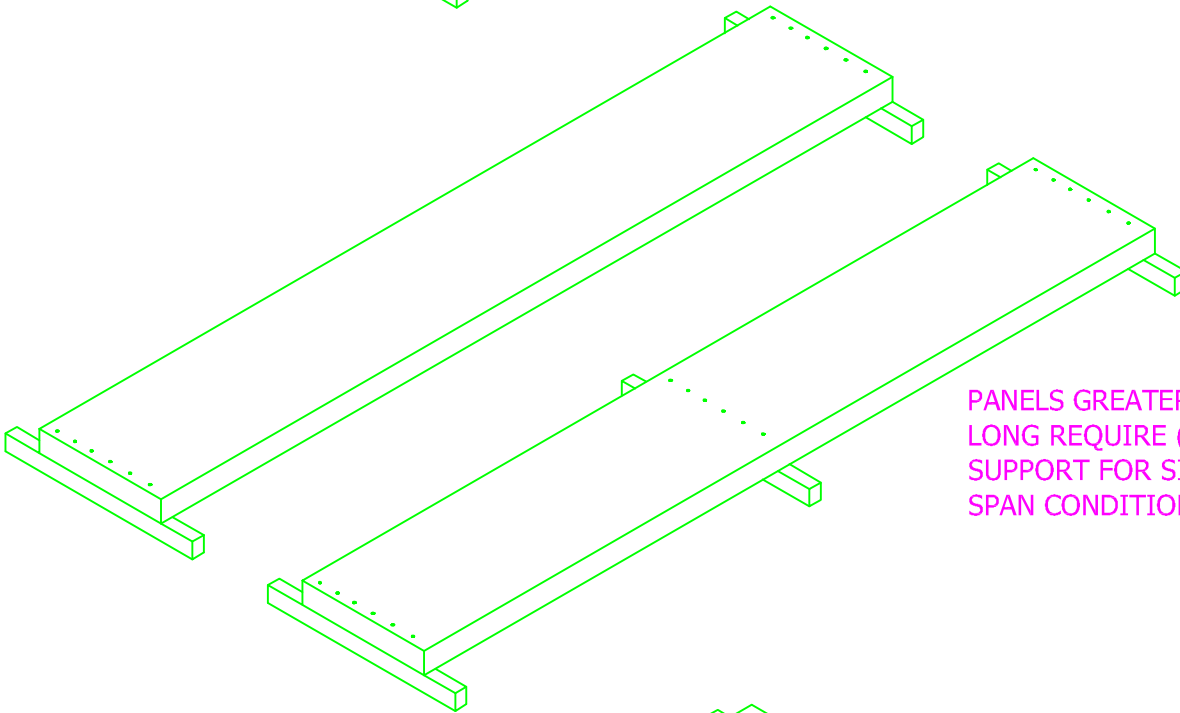
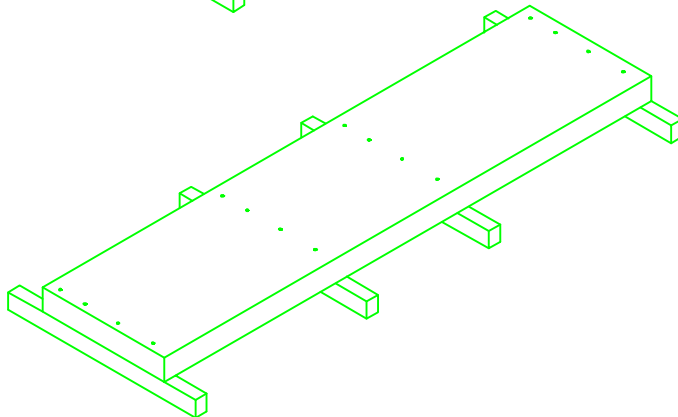


PANELS UP TO 16'-0" LONG REQUIRE (4) SCREWS PER SUPPORT FOR SINGLE AND TWO SPAN CONDITIONS U.N.O.

NOTE: ALL PANELS ARE SHOWN 4' WIDE.



PANELS GREATER THAN 16'-0" LONG REQUIRE (6) SCREWS PER SUPPORT FOR SINGLE AND TWO SPAN CONDITIONS U.N.O.



PANELS ANY LENGTH WITH MULTIPLE SPAN CONDITIONS REQUIRE (4) SCREWS PER SUPPORT U.N.O.



FLOOR/ROOF FASTENING PATTERNS
FORCE PANELS

