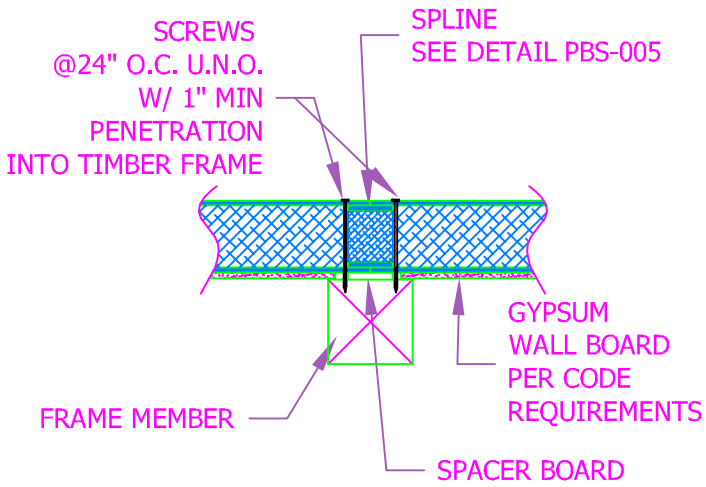
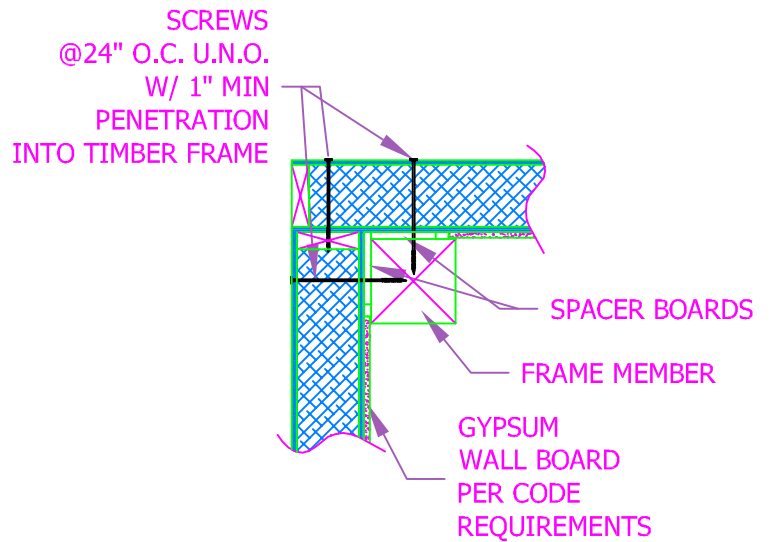


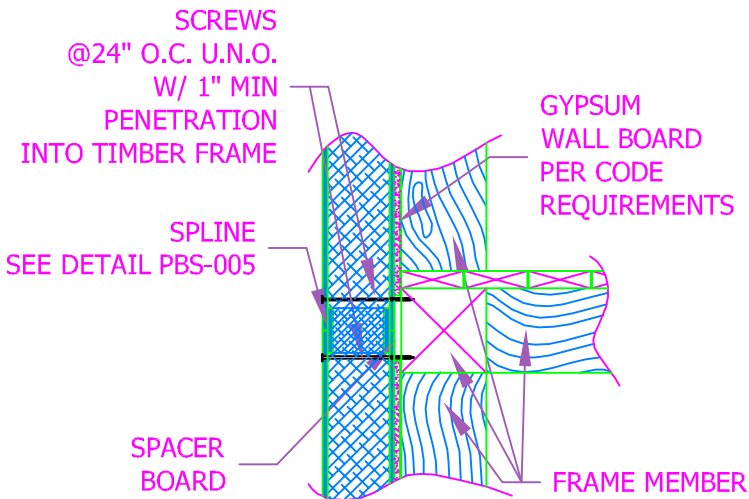
A



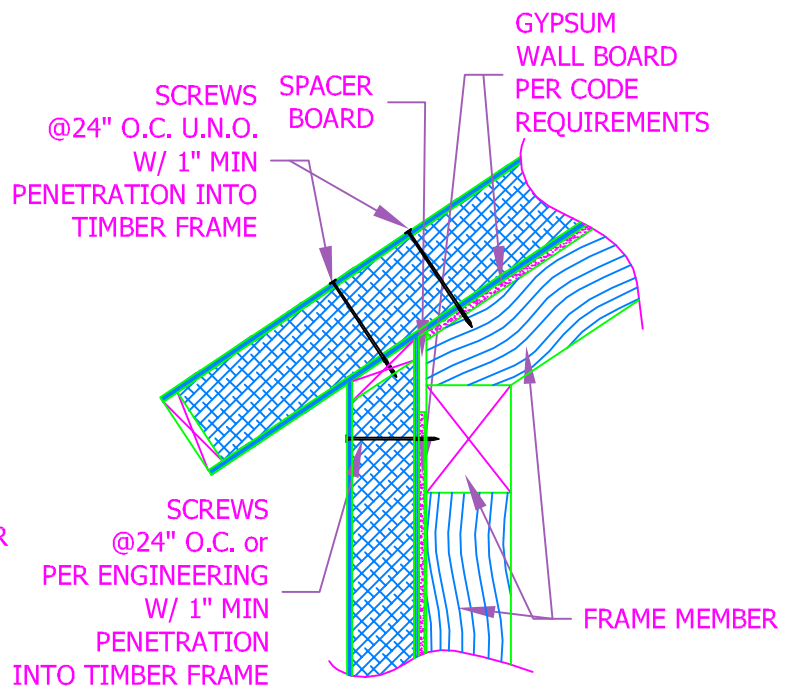
B



C



D



PBS-003

TYPICAL TIMBER FRAME DETAILS
FORCE PANELS



FORCE
 PANELS